

Specifications

Test Data Available

Pull tested by an independent and accredited ICC approved testing laboratory to 2,870 lbs vertical and 2,615 axial (side) pull. Test conducted with a 3/8" x 6" lag bolt in a 4" x 6" Douglas Fir wood beam. Test report available upon purchase.

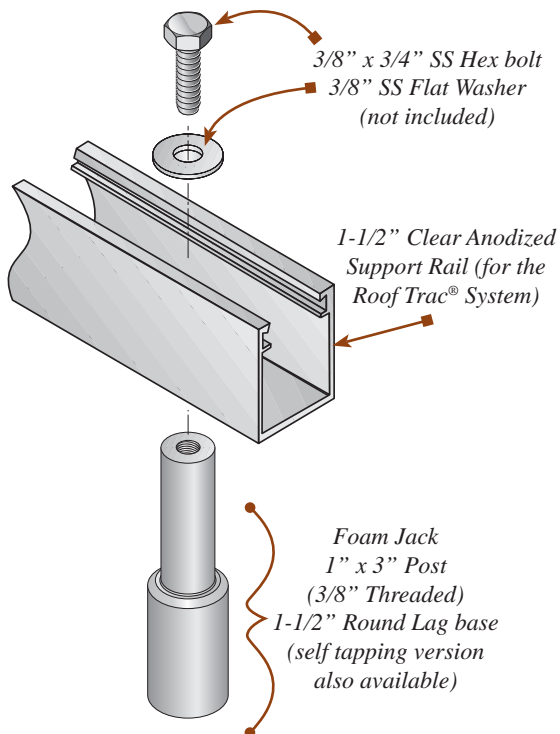
Measurements / Specifications

- BASE:** 1.5" dia. x 2.6" #6061 Aluminum
- 1/4" hole for self tapping-screw base
 - 3/8" hole for lag bolt base
- POSTS:** 1" dia. x 3" #6061 Aluminum
- 3/8" drilled & tapped (non-leveling version)
 - 1/2" threaded 2" deep (leveling version)

HARDWARE: Red Plastic caps included - installer to supply appropriate fasteners. Leveling kits are available upon request

- LEVELING KIT:** leveling kit components
- 1/2" x 4" Stainless Steel all-thread (qty. 1)
 - 1/2" Stainless Steel hex nuts (qty. 3)
 - 1/2" Stainless Steel flat washers (qty. 2)
 - 2" x 3" Anodized aluminum strut support (qty. 1)

INSTALLATION FOR NON-LEVELING VERSION EXPLODED VIEW



DRILL GUIDE

PART #FMJ-DRILL

Optional drill guide available with hardened drill guide bushing. Using the drill guide insures the installer will create a perfectly straight pilot hole into the rafter or structural member greatly enhancing strength.

INSTALLATION FOR LEVELING KIT VERSION - EXPLODED VIEW

