



**DEEP CYCLE**  
**SERIES: 5000**  
**MODEL: 4 KS 21P**

**BATTERY ENGINEERING**  
**WWW.ROLLSBATTERY.COM MADE IN CANADA**

**BATTERY TYPE: 4 VOLTS**

**DIMENSIONS:**

<b>LENGTH</b>	400 MM	15 3/4 INCHES
<b>WIDTH</b>	238 MM	9 3/8 INCHES
<b>HEIGHT</b>	629 MM	24 3/4 INCHES

**WEIGHTS:**

<b>WEIGHT DRY</b>	98 KG	216 LBS.
<b>WEIGHT WET</b>	121 KG	267 LBS.

**CONTAINER CONSTRUCTION:**

<b>CONTAINER: (INNER)</b>	POLYPROPYLENE	<b>TERMINALS:</b>	FLAG WITH STAINLESS STEEL NUTS AND BOLTS
<b>COVER: (INNER)</b>	POLYPROPYLENE - HEAT SEALED TO INNER CONTAINER	<b>HANDLES:</b>	MOLDED
<b>CONTAINER: (OUTER)</b>	HIGH DENSITY POLYETHYLENE		
<b>COVER: (OUTER)</b>	HIGH DENSITY POLYETHYLENE SNAP FIT TO OUTER CONTAINER		

**PLATES:**

**POSITIVE PLATE DIMENSION:**

<b>HEIGHT</b>	432 MM	17.000 INCHES
<b>WIDTH</b>	143 MM	5.625 INCHES
<b>THICKNESS</b>	6.99 MM	0.275 INCHES

**NEGATIVE PLATE DIMENSION:**

<b>HEIGHT</b>	432 MM	17.000 INCHES
<b>WIDTH</b>	143 MM	5.625 INCHES
<b>THICKNESS</b>	4.57 MM	0.180 INCHES

**CELLS:** 2      **PLATES/CELL:** 21

POSITIVE PLATE DOUBLE WRAPPED WITH SLYVER ENVELOPED WITH HEAVY DUTY SEPARATOR

**SEPARATOR:**  
**THICKNESS** 3 MM 0.105 INCHES

**INSULATION:**  
**GLASS MAT** 1 MM 0.020 INCHES

**CAPACITY:**

<b>CRANK AMPS:</b>		
<b>COLD (CCA)</b>	0°F / -17.8°C	3095
<b>MARINE (MCA)</b>	32°F / 0°C	3869

**ELECTROLYTE RESERVE:**  
**ABOVE PLATES** 95 MM 3.75 INCHES

**RESERVE CAPACITY:**  
**RC @ 25A** 3367 MINUTES

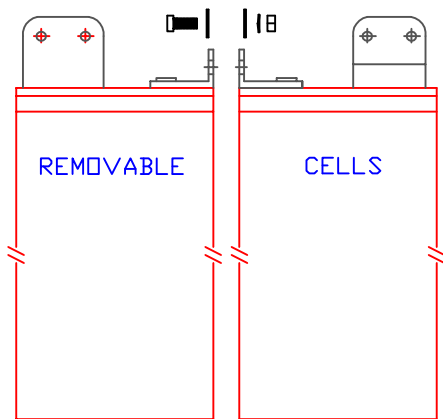
**20 HR RATE: 1104**

	<b>HOURLY RATE</b>	<b>SPECIFIC GRAVITY</b>	<b>CAP / AH</b>	<b>CURRENT / AMPS</b>
CAPACITY @	100 HOUR RATE	1.280 SP. GR.	1557	15.57
CAPACITY @	72 HOUR RATE	1.280 SP. GR.	1468	20.39
CAPACITY @	50 HOUR RATE	1.280 SP. GR.	1358	27.16
CAPACITY @	24 HOUR RATE	1.280 SP. GR.	1148	47.8
<b>CAPACITY @</b>	<b>20 HOUR RATE</b>	<b>1.280 SP. GR.</b>	<b>1104</b>	<b>55.2</b>
CAPACITY @	15 HOUR RATE	1.280 SP. GR.	1027	68.4
CAPACITY @	12 HOUR RATE	1.280 SP. GR.	960	80.0
CAPACITY @	10 HOUR RATE	1.280 SP. GR.	916	91.6
CAPACITY @	8 HOUR RATE	1.280 SP. GR.	861	107.6
CAPACITY @	6 HOUR RATE	1.280 SP. GR.	784	130.6
CAPACITY @	5 HOUR RATE	1.280 SP. GR.	740	148
CAPACITY @	4 HOUR RATE	1.280 SP. GR.	684	171
CAPACITY @	3 HOUR RATE	1.280 SP. GR.	618	206
CAPACITY @	2 HOUR RATE	1.280 SP. GR.	530	265
CAPACITY @	1 HOUR RATE	1.280 SP. GR.	375	375

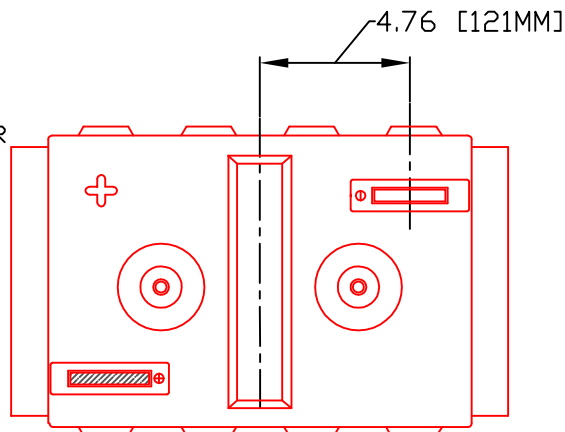


1 STATION RD SPRINGHILL, NOVA SCOTIA CANADA B0M 1X0 1.800.681.9914

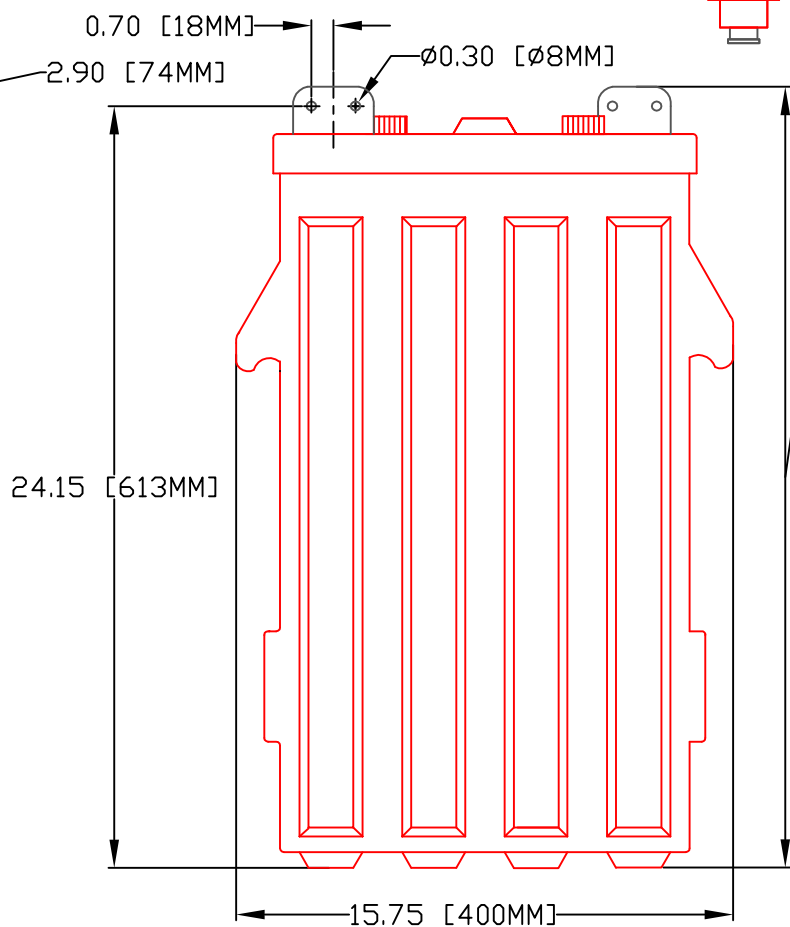
REV.2  
 Jan-10  
 4 KS 21P



BOLT-ON CONNECTOR ASSEMBLY  
2 X 316 SS NUT, WASHERS, LOCK WASHER AND BOLT



PART NUMBER: 4-KS-21P  
WEIGHT WET: 267 LB / 121 KG  
WEIGHT DRY: 216 LB / 98 KG  
CAPACITY: 1,364 AH 20 HR  
VOLTAGE: 4 V  
OVERALL DIMENSIONS: 15<sup>3</sup>/<sub>4</sub>" X 9<sup>3</sup>/<sub>8</sub>" X 24<sup>3</sup>/<sub>4</sub>"  
MAX HEIGHT WITH OPTIONAL HYDROCAPS: 25.13" / 638 MM



TITLE: 4KS21P

DESCRIPTION: 4V / 2 CELL 21 PLATE (KS) DEEP CYCLE

CONTACT INFO:  
WEB: WWW.ROLLSBATTERY.COM  
E-MAIL: SALES@ROLLSBATTERY.COM  
PHONE: 1-800-681-9914

SCALE: 1" = 6" 1" = 4" JPEG: 8.5" X 11" 11" X 17" NOT TO SCALE

Drawn by: S. WILES Approved By: D. SURRETTE

DATE: JAN-2010 REVISION: 2.0  
DRAWING NO.: DWG 002, BD4KS21P